

Description

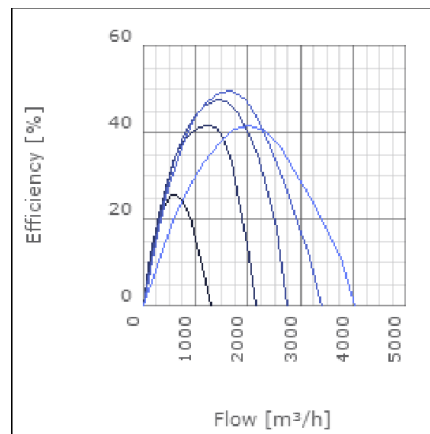
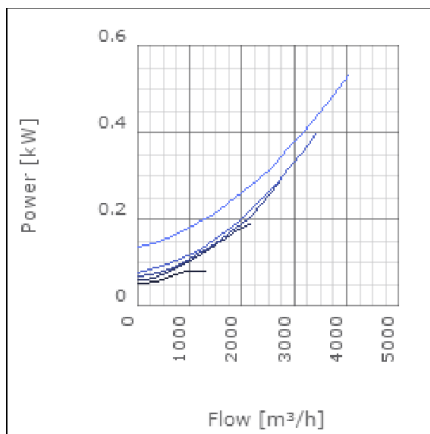
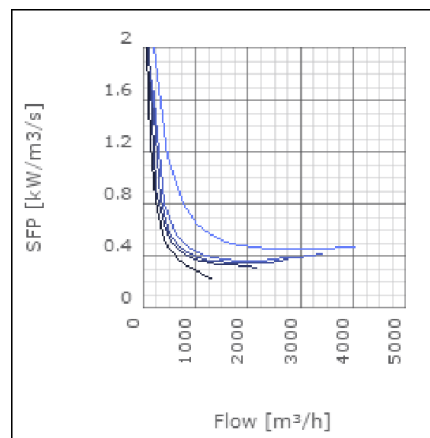
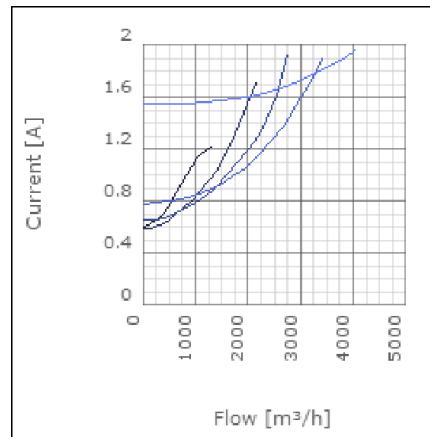
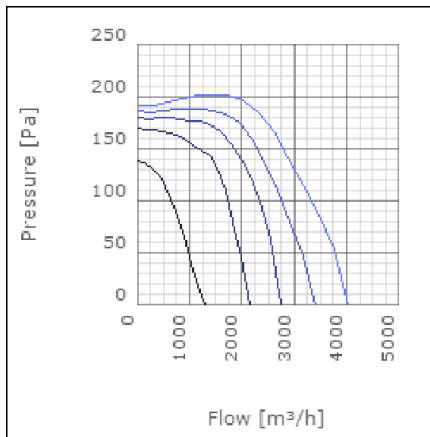
IRE is a range of insulated in-line centrifugal duct fans. They provide high pressure with low sound level. The IRE fans have good sound and fire insulation qualities provided by a 50mm pad of mineral wool. The high quality ball bearing mounted external rotor motors are maintenance free. They can be speed controlled from 0-100% by voltage variation. All motors are protected by approved thermo contacts. All 3-phase motors have ready fitted thermo contact leads for alarm functions etc. The fans have a strong galvanized steel housing incorporating a swing out design of the fan motor and impeller for easy cleaning and inspection.



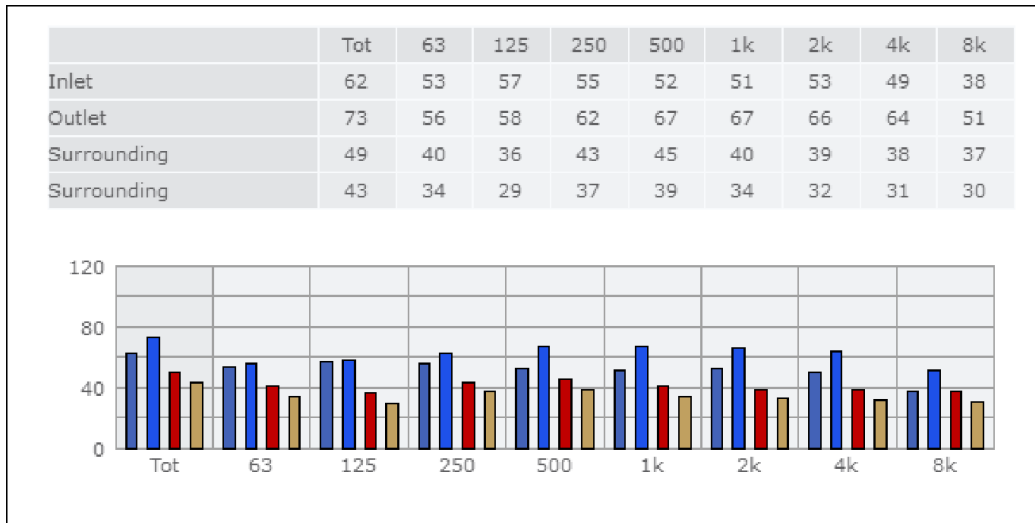
Technical data

Parameter	Value	Unit
Voltage	400	V
Phase	3	~
Frequency	50	Hz
Power	0.54	kW
Current	2	A
R.p.m.	690	r/m
Max. temperature of transported air	90	°C
Max. temperature of transported air when speed-controlled	90	°C
Sound pressure level at 3 m	42	dB(A)
Length	970	mm
Width	777	mm
Height	585	mm
Weight	75	kg
Enclosure class, motor	44	IP
Insulation class, motor	F	
Duct connection	600x350 mm	

Diagrams



Sound



Parameter

Distance: 3.000
 Propagation type: Hemi-spherical
 Equivalent absorption area: 20.00

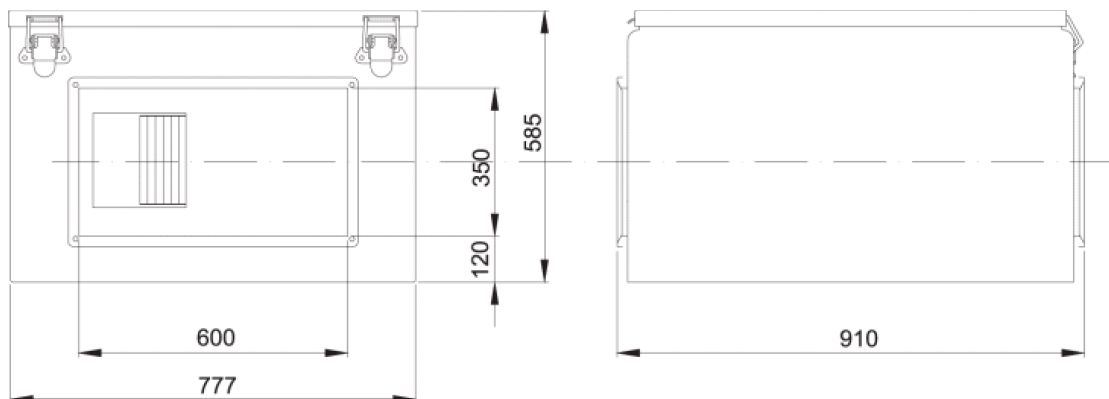
Checked point

Flow 2039.568m³/h
 Static pressure 197Pa

Working point

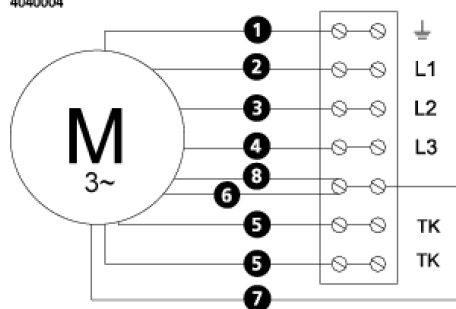
Flow 2040.029m³/h
 Static Pressure 197Pa
 Power 0.27kW
 Speed 0r/m
 Current 1.61A
 Voltage 400V
 Efficiency 41.818%
 SFP 0kW/m³/s

Dimensions



Wiring diagram

4040004



- (M) = Fan Motor
- (M1) = Fan Motor
- (M2) = Fan Motor
- (M3) = Rotor Motor
- 1 = Yellow/Green
- 2 = Black
- 3 = Blue
- 4 = Brown
- 5 = White (TW)
- 6 = Orange
- 7 = Grey
- 8 = Red
- 9 = Green
- 10 = Violet

Accessories

ETFV-94A
VRDT 4
VRTT 4

Electrical accessories

FLR 600x350
DS 600x350
LDR 600x350